

Rail adapters - USA 10

1201578

<https://www.phoenixcontact.com/us/products/1201578>

Please be informed that the data shown in this PDF document is generated from our Online Catalog. Please find the complete data in the user documentation. Our General Terms of Use for Downloads are valid.

Rail adapters, for M3 screws, length: 42.6 mm, width: 10 mm, height: 19 mm, color: gray



Commercial Data

Item number	1201578
Packing unit	1 pc
Minimum order quantity	25 pc
Sales Key	B17
Product Key	BE7114
Catalog Page	Page 545 (C-3-2019)
GTIN	4017918017392
Weight per Piece (including packing)	2.908 g
Weight per Piece (excluding packing)	2.908 g
Customs tariff number	39269097
Country of origin	DE

1201578

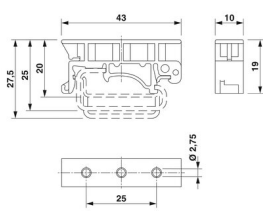
<https://www.phoenixcontact.com/us/products/1201578>

Technical Data

Product properties

Product type	Mounting material
--------------	-------------------

Dimensions

Dimensional drawing	
Width	10 mm
Height	19 mm
Length	42.6 mm

Material specifications

Color	gray
Material	PA
Flammability rating according to UL 94	V2
Coating	uncoated
Static insulating material application in cold	-40 °C
Temperature index of insulation material (DIN EN 60216-1 (VDE 0304-21))	125 °C
Relative insulation material temperature index (Elec., UL 746 B)	125 °C

Environmental and real-life conditions

Ambient conditions

Ambient temperature (operation)	-60 °C ... 105 °C (max. short-term operating temperature RTI Elec.)
Ambient temperature (storage/transport)	-25 °C ... 60 °C (for a short time, not exceeding 24 h, -60 °C to +70 °C)
Ambient temperature (assembly)	-5 °C ... 70 °C
Ambient temperature (actuation)	-5 °C ... 70 °C
Permissible humidity (storage/transport)	30 % ... 70 %

Mounting

Mounting type	Plug-on assembly
---------------	------------------

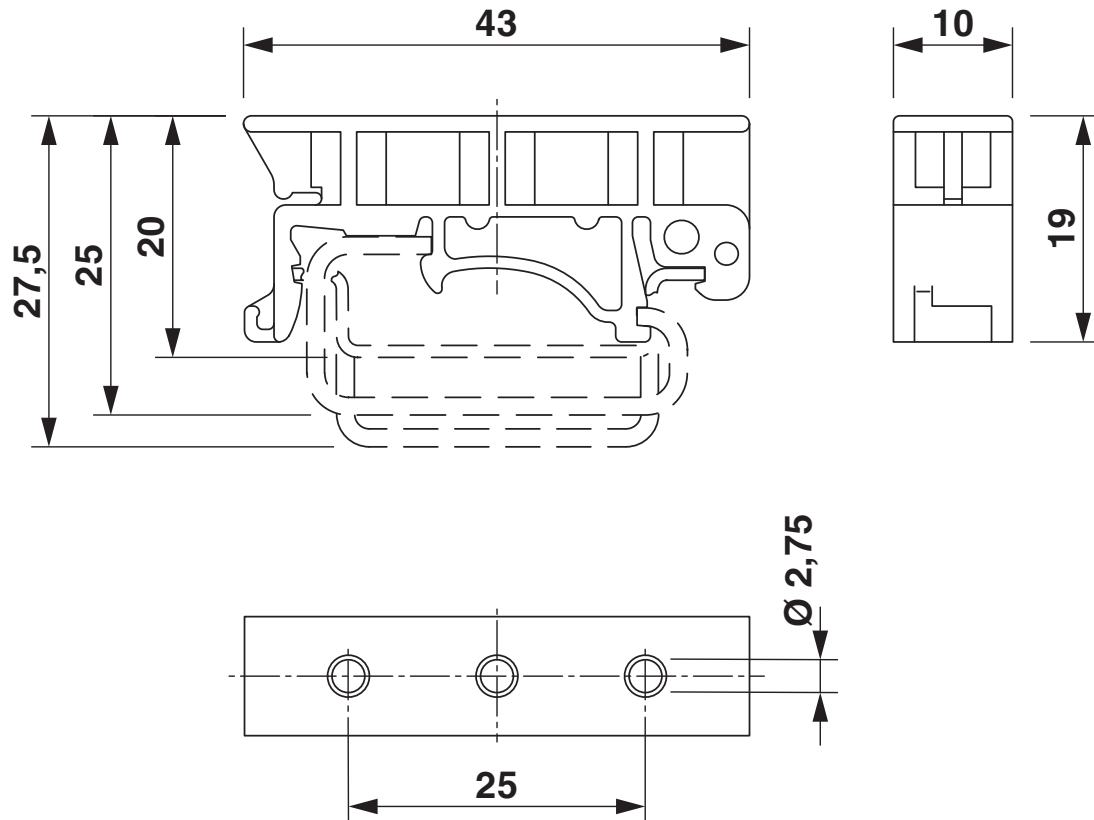
Rail adapters - USA 10

1201578

<https://www.phoenixcontact.com/us/products/1201578>

Drawings

Dimensional drawing



Phoenix Contact 2023 © - all rights reserved
<https://www.phoenixcontact.com>

Phoenix Contact USA
586 Fulling Mill Road
Middletown, PA 17057, United States
(+717) 944-1300
info@phoenixcon.com